

# BP301 Datasheet

BACK PRESSURE REGULATOR



Gas  Liquid  Diaphragm  Piston  Self-Venting  Non-Venting | Max Rating: 150 bar (2,175 psi) | Control Range: 150 bar (2,175 psi) | Cv 0.1



## INTRODUCING THE BP301...

The BP301 is a piston-sensed back pressure regulator for accurate back pressure control on both gas (PTFE seat) and liquid applications. It is a popular choice for our electrolyser customers who rely on accurate and reliable pressure regulation to enhance the efficiency and life span of the electrolyser.

With a lower Cv of 0.1, the BP301 controls pressures of up to 150 bar (2,175 psi) or with a Cv of 0.5 it controls up to 50 bar (725 psi). Flanged connections available.

## SPECIFICATION

Max. Rating	150 bar (2,175 psi)
Control Range	Up to 150 bar (2,175 psi)
Design Proof Pressure	150% max. working pressure
Seat Leakage	In accordance with ANSI/FCI 70-3
Weight	0.9kg (2lbs)

## STANDARD MATERIALS OF CONSTRUCTION

PART	MATERIALS
Body and Bonnet	ASTM A479 316/316L Stainless Steel (UNS S31600/S31603)
Main Valve Pin	ASTM A479 316/316L Stainless Steel
Soft Seat	PEEK™ (450G) PTFE (Kel-F)
Piston	ASTM A479 316/316L Stainless Steel
Handwheel	Nylon
O-Rings	FKM/FPM (Viton)
Loading Spring	ASTM A240 301 Stainless Steel (UNS S30100)

Note: Pressure regulator rating may be limited by connection type, Cv and/or seat material. Contact the office for specific pressure or temperature requirements.

## FEATURES AND BENEFITS

### 1 PISTON SENSING ELEMENT

Perfect for use in challenging conditions.

### 2 SUITABLE FOR ELECTROLYSER APPLICATIONS

Pressure regulation is crucial to the efficiency and life span of the electrolyser.

### 3 CHOICE OF LOW FLOW COEFFICIENTS

Accurate control of process media with a CV of 0.02, 0.1 or 0.5.

### 4 LIGHTWEIGHT & COMPACT DESIGN

Perfect for when installation space is restricted.

NOTE: Product availability and specifications contained herein are subject to change without notice. Consult local distributor or factory for potential revisions and/or service related issues. Pressure Tech Ltd support with product selection recommendations only - it is the users responsibility to ensure the product is suitable for their specific application requirements.



#### PRESSURE TECH LTD

Unit 24, Graphite Way, Hadfield, Glossop, Derbyshire, UK, SK13 1QH  
T +44 (0)1457 899 307  
E [sales@pressure-tech.com](mailto:sales@pressure-tech.com)  
W [www.pressure-tech.com](http://www.pressure-tech.com)

DESIGNED, MANUFACTURED AND BUILT IN THE UK

311023

PAGE:  
1 OF 4

# BP301 Datasheet

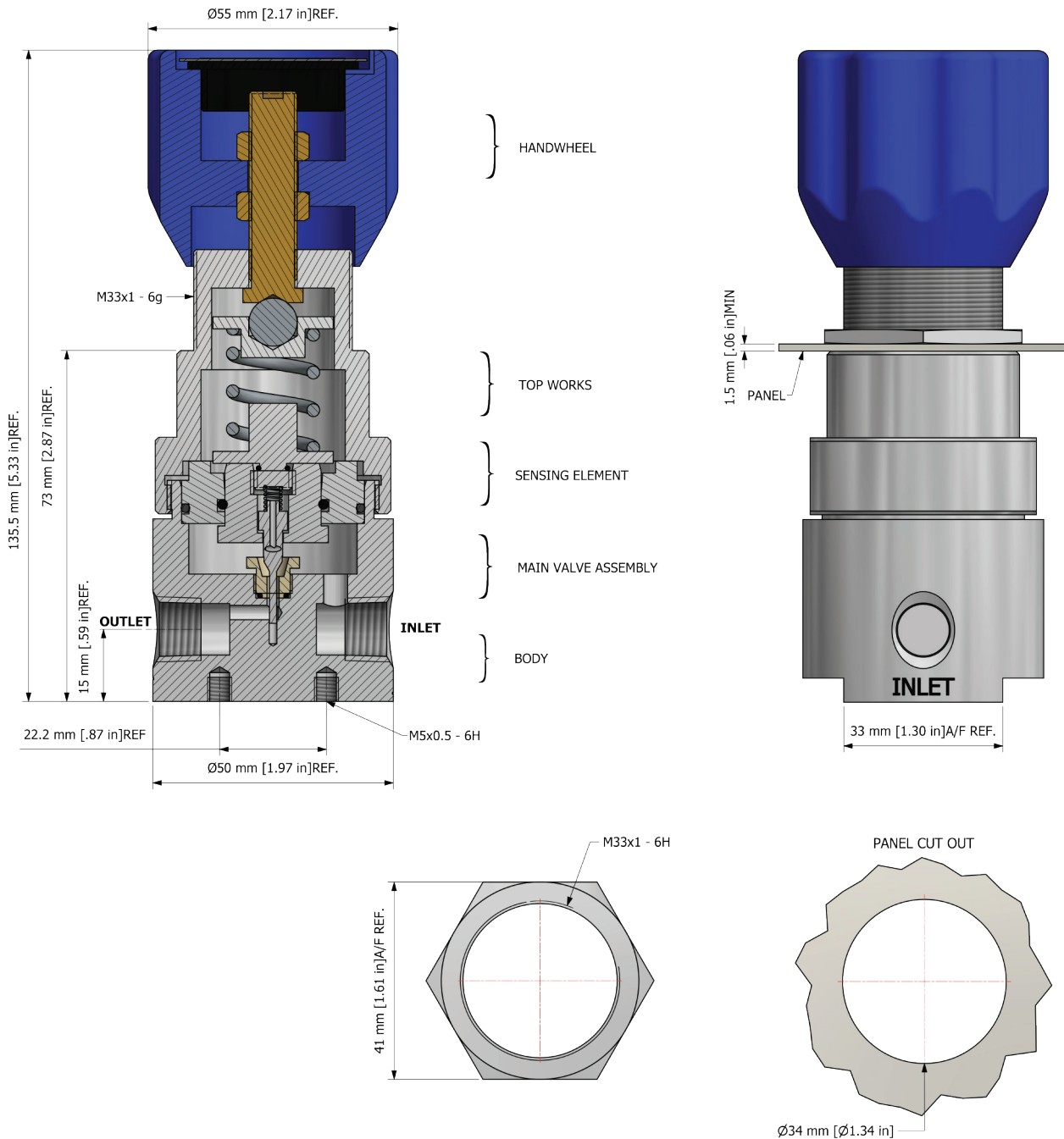
BACK PRESSURE REGULATOR



Gas  
  Liquid  
  Diaphragm  
  Piston  
  Self-Venting  
  Non-Venting  
 Max Rating: 150 bar (2,175 psi)  
 Control Range: 150 bar (2,175 psi)  
 Cv 0.1

## DRAWINGS AND INSTALLATION DIMENSIONS

Dimensions shown for 1/4" NPT option - please contact the office for additional connections options.



**Note:**

All gauge ports are 1/4" NPT as standard.

**NOTE:** Product availability and specifications contained herein are subject to change without notice. Consult local distributor or factory for potential revisions and/or service related issues. Pressure Tech Ltd support with product selection recommendations only - it is the users responsibility to ensure the product is suitable for their specific application requirements.



**PRESSURE TECH LTD**  
 Unit 24, Graphite Way, Hadfield, Glossop, Derbyshire, UK, SK13 1QH  
 T +44 (0)1457 899 307  
 E [sales@pressure-tech.com](mailto:sales@pressure-tech.com)  
 W [www.pressure-tech.com](http://www.pressure-tech.com)

DESIGNED, MANUFACTURED AND BUILT IN THE UK

# BP301 Datasheet

BACK PRESSURE REGULATOR

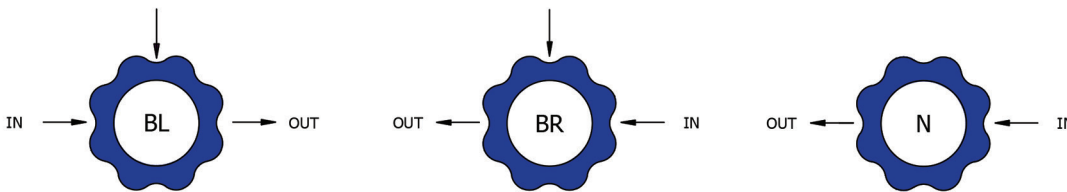


Gas  Liquid |  Diaphragm  Piston |  Self-Venting  Non-Venting | Max Rating: 150 bar (2,175 psi) | Control Range: 150 bar (2,175 psi) | Cv 0.1

## FLOW CURVE

Please contact the office for further information.

## PORTING CONFIGURATIONS



*Note:*

Additional porting configurations are available - please contact the office for further information.

**NOTE:** Product availability and specifications contained herein are subject to change without notice. Consult local distributor or factory for potential revisions and/or service related issues.  
Pressure Tech Ltd support with product selection recommendations only - it is the users responsibility to ensure the product is suitable for their specific application requirements.



**PRESSURE TECH LTD**  
Unit 24, Graphite Way, Hadfield, Glossop, Derbyshire, UK, SK13 1QH  
T +44 (0)1457 899 307  
E [sales@pressure-tech.com](mailto:sales@pressure-tech.com)  
W [www.pressure-tech.com](http://www.pressure-tech.com)

DESIGNED, MANUFACTURED AND BUILT IN THE UK

# BP301 Datasheet

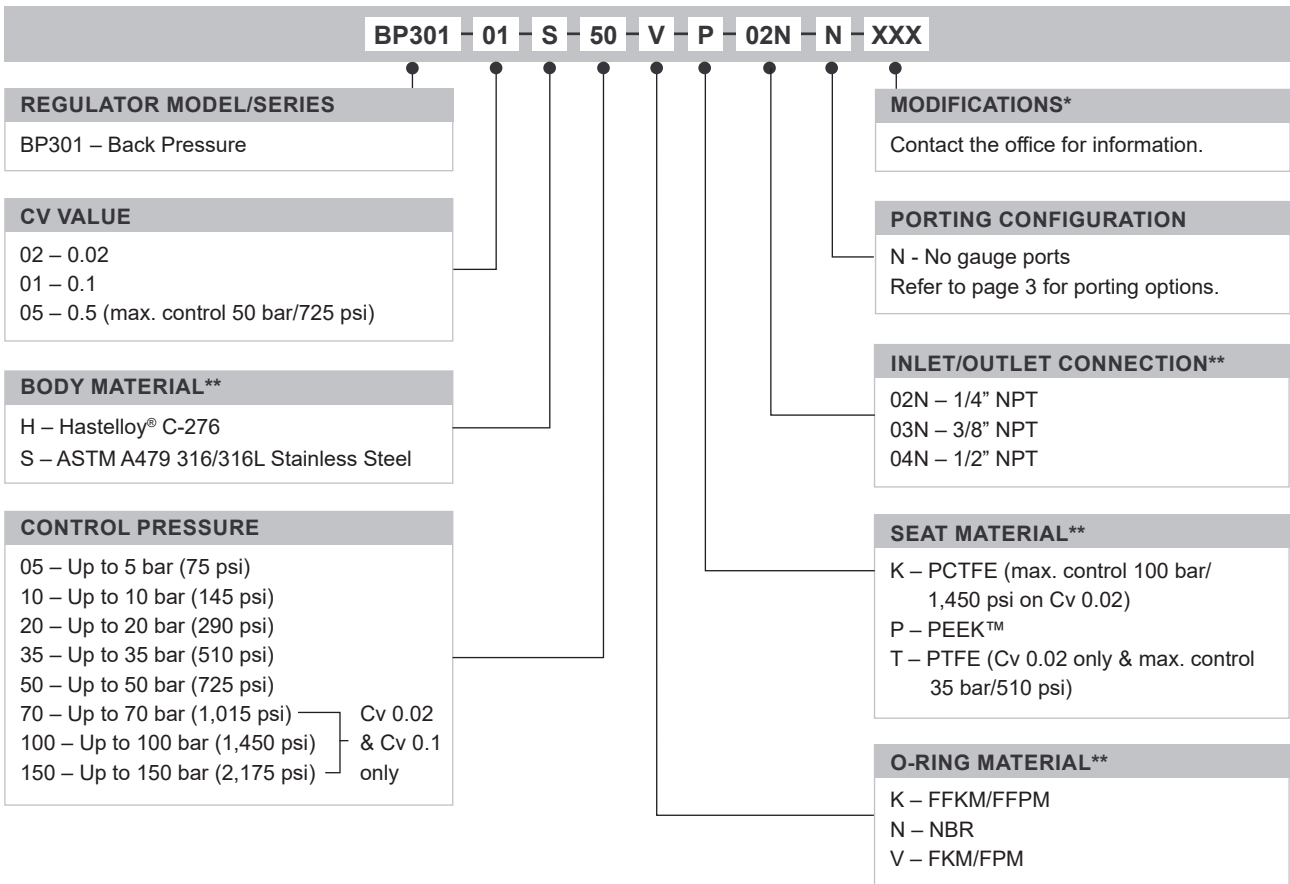
BACK PRESSURE REGULATOR



Gas  
  Liquid  
  Diaphragm  
  Piston  
  Self-Venting  
  Non-Venting  
 Max Rating: 150 bar (2,175 psi)  
 Control Range: 150 bar (2,175 psi)  
 Cv 0.1

## ORDERING INFORMATION

To build a Pressure Tech part number, simply combine the characters identified below in sequence:



OPTIONAL EXTRAS		
	PART NUMBER	DESCRIPTION
Service Kit	SRK-BP301...	Various options available
Panel Mounting Ring	PT-C-024	Stainless Steel panel mount ring

*Note:* Ancillary equipment also available

**TRADEMARKS:** PEEK™ is a trademark of Victrex PLC  
 Hastelloy® is a registered trademark of Haynes International, Inc

\* Where applicable  
 \*\* Other connections/materials may be available

**NOTE:** Product availability and specifications contained herein are subject to change without notice. Consult local distributor or factory for potential revisions and/or service related issues.  
 Pressure Tech Ltd support with product selection recommendations only - it is the users responsibility to ensure the product is suitable for their specific application requirements.



**PRESSURE TECH LTD**  
 Unit 24, Graphite Way, Hadfield, Glossop, Derbyshire, UK, SK13 1QH  
 T +44 (0)1457 899 307  
 E [sales@pressure-tech.com](mailto:sales@pressure-tech.com)  
 W [www.pressure-tech.com](http://www.pressure-tech.com)

DESIGNED, MANUFACTURED AND BUILT IN THE UK

311023

PAGE:  
4 OF 4